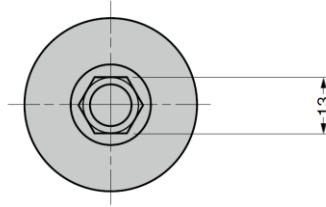
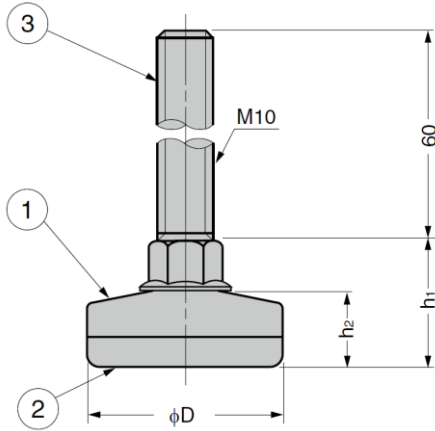


## GTN-S Levelling Glide

### Features

- Levelling glide with plastic base to prevent scratching of floor



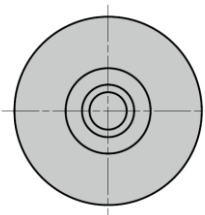
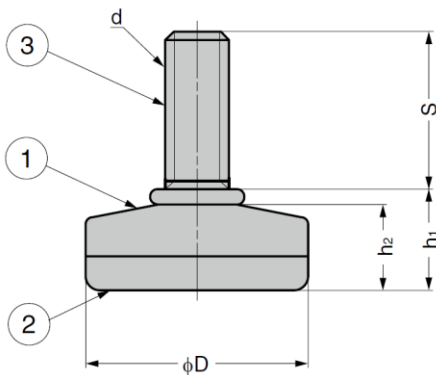
No.	Part Name	Material	Finish/Colour
①	Body	Steel (SPCC)	Chrome
②	Base	PP	Natural
③	Threaded Bolt	Steel (SWCH)	Coloured Zinc Chromate (Trivalent)

Part No.	D	h <sub>1</sub>	h <sub>2</sub>	Load Capacity (per piece)	
GTN-25S	25	21	12	1,372 N	140 kg
GTN-35S	35	22.5	13.5		
GTN-45S	43.5				

## GTN Levelling Glide

### Features

- Levelling glide with plastic base to prevent scratching of floor



No.	Part Name	Material	Finish/Colour
①	Body	Steel (SPCC)	Chrome
②	Base	PP	Natural
③	Threaded Bolt	Steel (SWCH)	Coloured Zinc Chromate (Trivalent)

Part No.	d	D	h <sub>1</sub>	h <sub>2</sub>	S	Load Capacity (per piece)	
GTN-25	M8	25	15	12	25	784 N	80 kg
GTN-35	M10	35	16.5	13.5		32	980 N
GTN-45		43.5					